



## DESCRIPTION

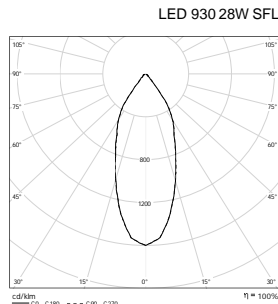
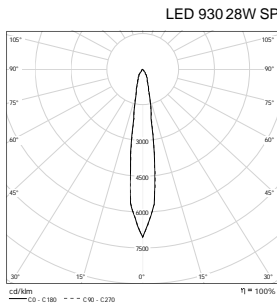
### LUMINAIRE BODY

- Aluminum injection body with a high dissipation performance, COOL TECH technology, warranty of a higher performance and a long lasting product life.
- Orientable. The rotation function from 0° to 30° maximizes the range of illumination.
- Main voltage 220-240V 50/60Hz
- Power factor:  $\varphi = 0,95$
- Installation: easy installation thanks to anchor springs included in the supply.
- Body with a special smart and compact design, created exclusively for the integration of high-performance LED light sources.
- Useful life: L80B10: 70.000 hours/L80B50: 100.000 hours. Ta:25°C
- **Ceiling cut: 364x86 mm**

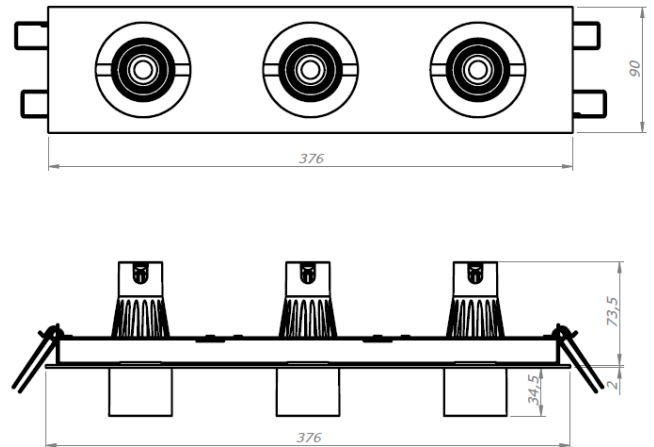
### OPTICS

- Well-defined and clean light beams for an efficient accent lighting in shops, showrooms and sales.
- Textured lens: color consistency throughout the pattern: ring effects are eliminated and the color temperature does not change with the LED emission angle.
- SPOT (15°) and SUPERFLOOD (31°) spotlights with PHIREFLECTOR® technology, thanks to its facet design it allows a higher control of the light beam with a minimum dispersion of light, obtaining the maximum definition of the projected beam.
- On demand, combinable optics in the same product
- Limitation of light depreciation thanks to the incorporation of a protection diffuser at the light output, the optical component is protected from external agents.
- 930 LED with a higher selection of binning that guarantees the light output emitted and the colour temperature declared, as well as a higher color reproduction and white colors with a CRI above 90.

## CURVES



## DIMENSIONS



## LUMINAIRE

### LOGAR M DWL 2X · Recessed orientable LED downlight with a frame· White color

Light source	W	color Temp. (K)	CRI	Output	Kg	Reference
<b>SPOT 15°</b>						
LED930	3 x 16	3.000	>90	3 x 900 lm	1,8	37923930010SPBM
<b>SUPERFLOOD 31°</b>						
LED930	3 x 16	3.000	>90	3 x 1.150 lm	1,8	3792393001SPFBM